



**Digital Inverter Generator
Model No. RYi2200A
Replacement Parts List**

TECHTRONIC INDUSTRIES NORTH AMERICA, INC.

1428 Pearman Dairy Road, Anderson, SC 29625

Phone 1-800-860-4050

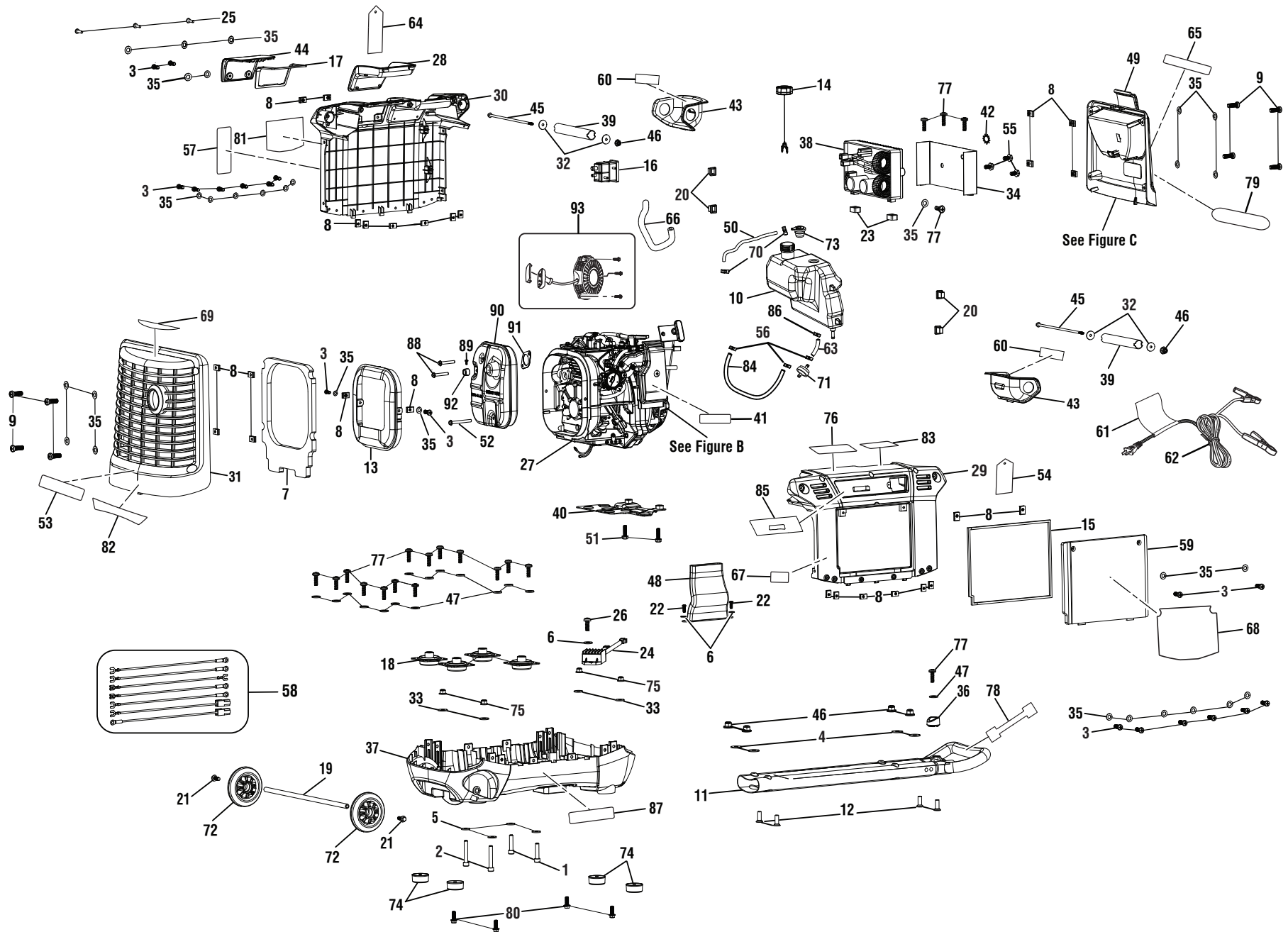
www.ryobitools.com

990000509

3-18-15 (Rev:07)

DIGITAL INVERTER GENERATOR – MODEL NUMBER RYi2200A

Figure A



DIGITAL INVERTER GENERATOR – MODEL NUMBER RYi2200A

The model number will be found on a label attached to the motor housing. Always mention the model number in all correspondence regarding your **DIGITAL INVERTER GENERATOR** or when ordering parts.

PARTS LIST – FIGURE A

KEY NO.	PART NUMBER	DESCRIPTION	QTY	KEY NO.	PART NUMBER	DESCRIPTION	QTY
1	660764005	Bolt (M8 x 35 mm, Hex Hd.).....	2	25	660345007	Screw (M5 x 30 mm, Phillips Button Hd.)	3
2	660764006	Bolt (M8 x 50 mm, Hex Hd.).....	2	26	660345008	Screw (M4 x 10 mm, Phillips Pan Hd.).....	1
3	660342013	Screw (M5 x 12 mm, Phillips Pan Hd).....	18	27	NOTE A	Engine (105cc Top Sun)	1
4	638128017	Washer (ID5.3 x OD15 x 1t).....	4	28	570818001	Fuel Over spill Guard.....	1
5	638128019	Washer (ID8.3 x OD16 x 2t).....	4	29	311087001	Left Side Housing w/Labels	1
6	690969001	Washer (ID4.2 x OD10 x 1t).....	3	30	311088001	Right Side Housing w/Labels.....	1
7	980412001	Foam Pad (Isolator)	1	31	524092006	Muffler Cover w/Labels	1
8	678900010	U-Clip (M5 x 0.8 in.)	26	32	638128015	Washer (ID6.3 x OD25 x 1.5t).....	4
9	660342009	Screw (M5 x 15 mm, Phillips Pan Hd.).....	8	33	638128016	Washer (ID6.3 x OD18 x 1.5t).....	4
10	310711112	Fuel Tank	1	34	901663002	Air Guide Sheet	1
11	308790053	Handle Assembly	1	35	638623005	Washer (ID5.3 x OD10 x0.5t).....	30
12	661843001	Screw (M5 x 0.8 in., Phillips Flat Hd.).....	4	36	570712003	Handle Bumper	1
13	524012003	Muffler Noise Cover	1	37	525296001	Base	1
14	519709004	Fuel Tank Cap	1	38	290991004	Inverter Module	1
15	980413001	Seal (Maintenance Cover)	1	39	638701021	Handle (Upper)	2
16	310722006	Carbon Canister	1	40	311060001	Engine Bracket Assembly	1
17	980414001	Spark Plug Cover (Foam)	1	41	940911003	Maintenance Label.....	1
18	570356009	Engine Bracket (Isolator)	4	42	638704002	Star Washer.....	1
19	620599023	Wheel Axle	1	43	524011002	Handle Cover	2
20	570356010	Support (Fuel Tank)	4	44	519813016	Access Cover (Spark Plug).....	1
21	660345005	Screw (M6 x 20 mm, Hex Button Hd.)	2	45	660972025	Bolt (M5 x 175 mm, Hex Hd.).....	2
22	660345006	Screw (M3.5 x 9 mm, Phillips Flange Hd.)	2	46	678774007	Flange Nut (M5 x 0.8 in.)	6
23	507355008	Base Support	2	47	638128014	Washer (ID5.3 x OD10 x 1t).....	15
24	290433005	Bridge Rectifier.....	1	48	525363001	Air Filter Duct.....	1

NOTE A: OWT Industries, Inc., will not provide engines as replacement parts. Engines are covered through the engine manufacturer's warranty. Consult the accompanying engine manual or contact our service department for assistance.

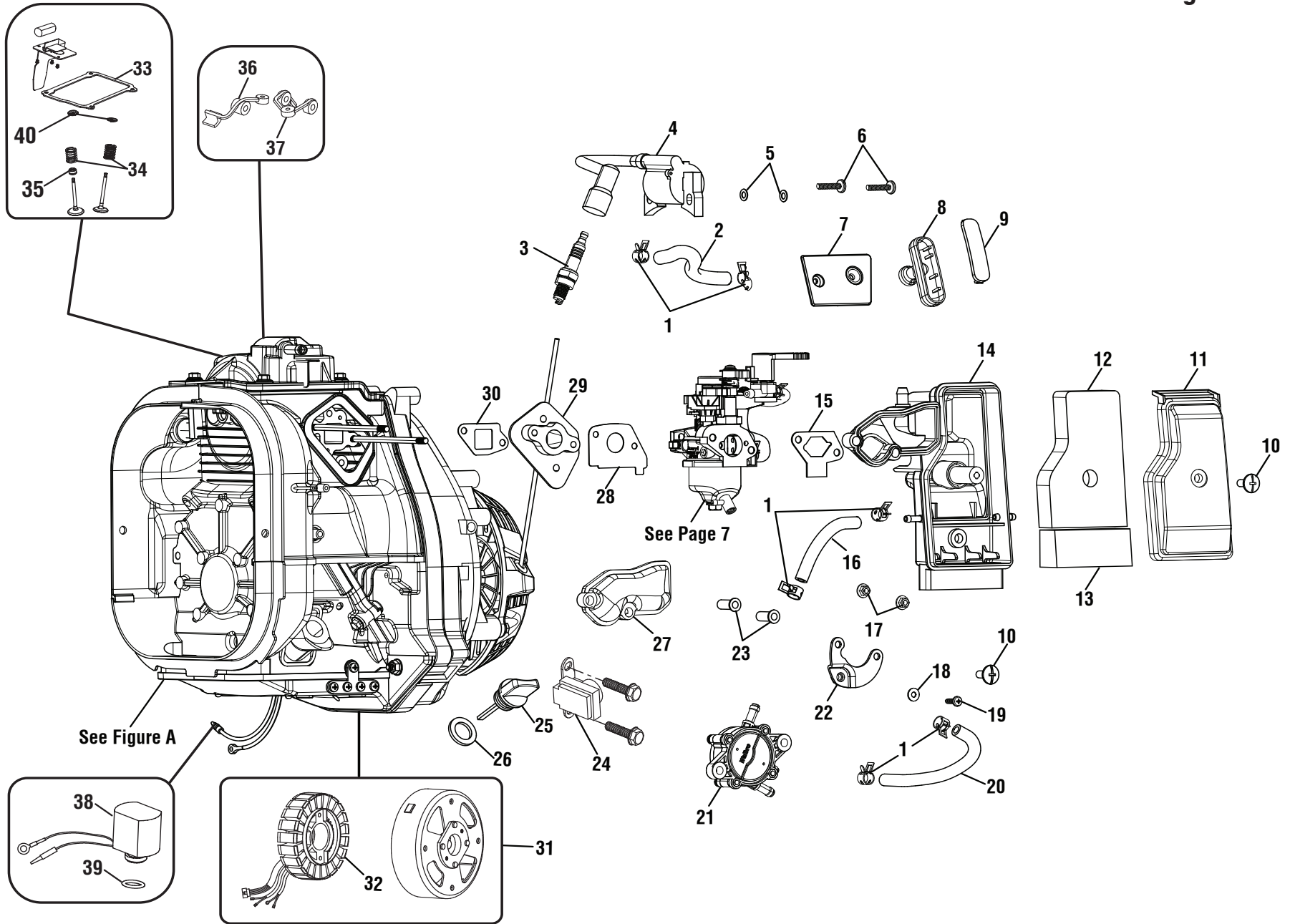
DIGITAL INVERTER GENERATOR – MODEL NUMBER RYi2200A

The model number will be found on a label attached to the motor housing. Always mention the model number in all correspondence regarding your **DIGITAL INVERTER GENERATOR** or when ordering parts.

PARTS LIST– FIGURE A

KEY NO.	PART NUMBER	DESCRIPTION	QTY	KEY NO.	PART NUMBER	DESCRIPTION	QTY
49	310714046	Control Panel Assembly	1	74	561454001	Rubber Foot w/Metal Insert	4
50	570358090	Air Hose (Fuel Tank).....	1	75	678774009	Nut (M6 x 1 mm).....	4
51	660764004	Bolt (M8 x 30 mm, Hex Head).....	2	76	940515017	CPSC Label.....	1
52	661315004	Bolt (M6 x 65 mm, Flange Hex Hd.).....	1	77	661864006	Screw (M4.2 x 12mm, Phillips Button Hd.) ...	18
53	940947008	Combustion Label.....	1	78	940758016	Handle Release Label	1
54	940735007	Start Label Hang Tag.....	1	79	940513030	Ground Warning Label	1
55	660975004	Bolt (M6 x 12 mm, Hex Hd.).....	3	80	660972026	Bolt (M6 x 16 mm, Hex Hd.).....	4
56	678815010	Clamp (D9.5 mm)	3	81	940779094	Performance Label	1
57	940654266	Danger Icon Label	1	82	940974094	Fire Distance Label.....	1
58	290514004	Internal Wire Assembly.....	1	83	940872003	E85 Label	1
59	523430003	Maintenance Cover	1	84	570358083	Fuel Hose (Fuel Tank To Fuel Pump).....	1
60	940654214	Warning Transport w/Handle Label.....	2	85	940617116	Quick Start Label.....	1
61	940654075	Cord Label.....	1	86	678815015	Clamp (10 mm).....	1
62	290425003	DC Cable Assembly	1	87	940678366	Data Label (2014)	1
63	570358103	Fuel Hose (50 mm)	1	88	661315003	Bolt (M6 x 45 mm, Flange Hex Hd.).....	2
64	940971091	Danger Hangtag	1	89	661864010	Screw (M4.2 x 8 mm, Pan Hd.)	1
65	941732003	Logo Label (Small).....	1	90	308990048	Muffler	1
66	570358089	Air Hose (Carbon Canister To Air Box).....	1	91	570740030	Exhaust Pipe Gasket.....	1
67	940708023	Check Oil Label	1	92	638147005	Spark Arrestor	1
68	940705186	Logo Label (Large)	1	93	310755007	Recoil Starter Assembly.....	1
69	940680049	Hot Surface Label	1		Not Shown:		
70	678815011	Clamp (7 mm).....	2		120968013	High Altitude Kit (2000–7000 ft., Not Included)	
71	308733008	Fuel Filter (1/4 in.).....	1		991000450	Operator's Manual (2015)	
72	310223005	Wheel	2		991000451	Quick Reference Guide	
73	310854002	Rollover Vent	1				

Figure B



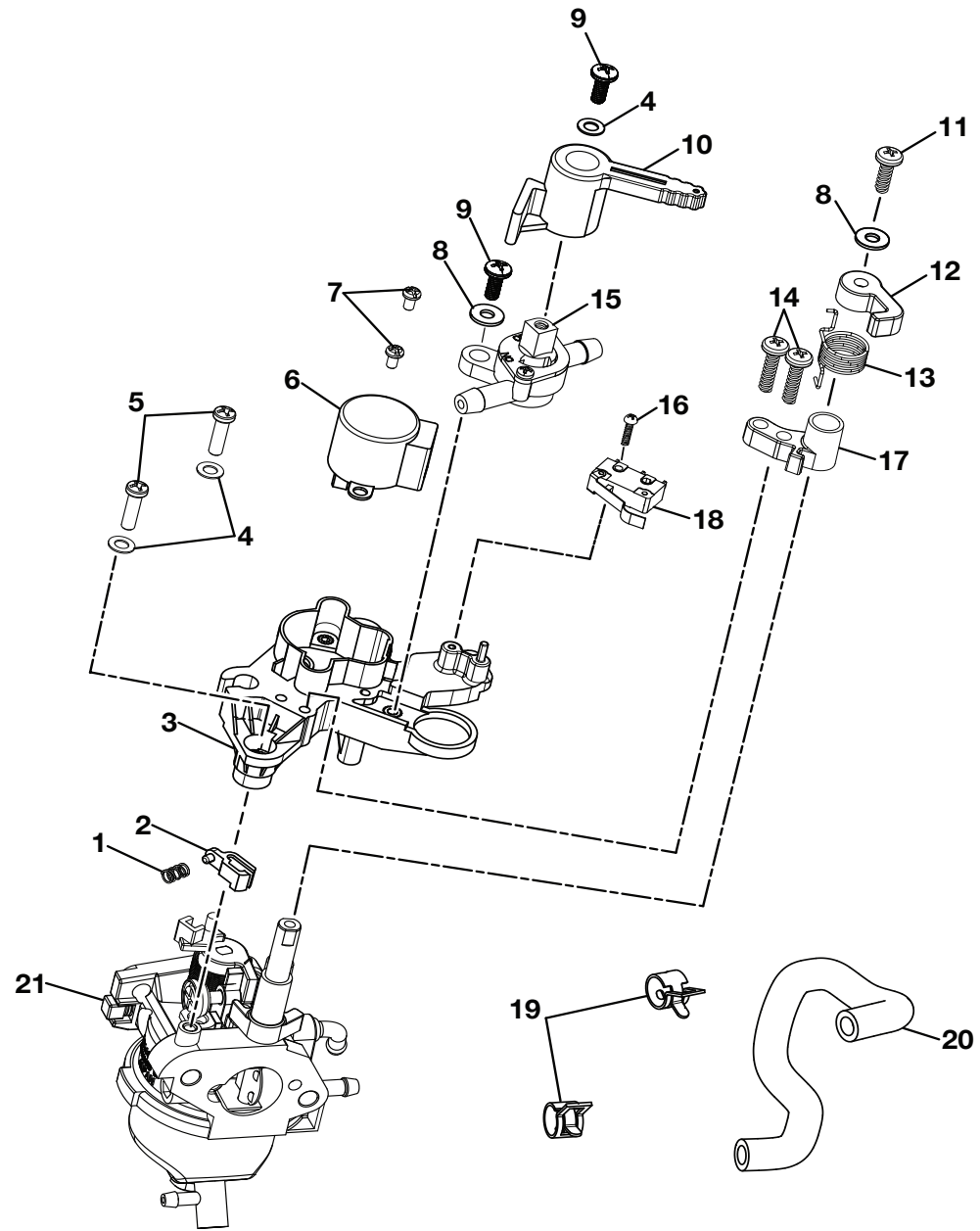
DIGITAL INVERTER GENERATOR – MODEL NUMBER RYi2200A

The model number will be found on a label attached to the motor housing. Always mention the model number in all correspondence regarding your **DIGITAL INVERTER GENERATOR** or when ordering parts.

PARTS LIST – FIGURE B

KEY NO.	PART NUMBER	DESCRIPTION	QTY	KEY NO.	PART NUMBER	DESCRIPTION	QTY
1	678815010	Fuel Hose Clamp (9.5 mm)	6	21	308459007	Fuel Pump.....	1
2	570358087	Air Hose (3 Way Hose To Engine 180 mm)	1	22	639138001	Fuel Pump Bracket	1
3	870174004	Spark Plug (NHSP LD7RTS)	1	23	678455002	Air Cleaner Body Nesting.....	2
4	850202001	Ignition Coil	1	24	760504012	Pick-up Coil	1
5	GB/T 95-2002	Washer (M5)	2	25	310302003	Engine Oil Dipstick.....	1
6	GB/T 845-1985	Screw (M4.8 x 19 mm)	2	26	11222-A142-0000	Oil Dipstick Seal.....	1
7	525297001	Start Rope Cover	1	27	679476001	Intake Pipe Top Hood	1
8	524015002	Recoil Handle.....	1	28	570740028	Carburetor Gasket	1
9	524011001	Handle Cover	1	29	524006001	Intake Seat	1
10	661906001	Screw (M8 x 16 mm, Truss Hd.).....	1	30	570740027	Insulating Board Gasket.....	1
11	524008001	Air Cleaner Baffle	1	31	310227031	Alternator Assembly (Inc. Key No. 32)	1
12	901709002	Air Cleaner Filter	1	32	310772038	Stator Assembly.....	1
13	901709001	Air Cleaner Filter	1	33	08-067	Head Gasket	1
14	524007002	Air Cleaner Body	1	34	06-03-127	Valve spring.....	2
15	570740029	Intake Pipe Gasket.....	1	35	03-03-1-029	Valve Seal.....	1
16	570358084	Fuel Hose (Fuel Pump To Fuel Valve, 95 mm). 1		36	06-06-372	Intake Rocker Assembly	1
17	GB/T 6177.1-2000	Flange Nut (M5).....	2	37	06-06-371	Exhaust Rocker Assembly	1
18	690969001	Washer (ID4.2 x OD10 x 1t).....	1	38	06.06.358	Oil Sensor.....	1
19	661864006	Screw (M4.2 x 12 mm, Phillips Pan Hd.).....	1	39	03.03.1.033	Oil Sensor Seal.....	1
20	570358086	Fuel Hose (Engine To Fuel Pump, 140 mm)....	1	40	06.06.348	Valve Retainer.....	2

DIGITAL INVERTER GENERATOR – MODEL NUMBER RYi2200A



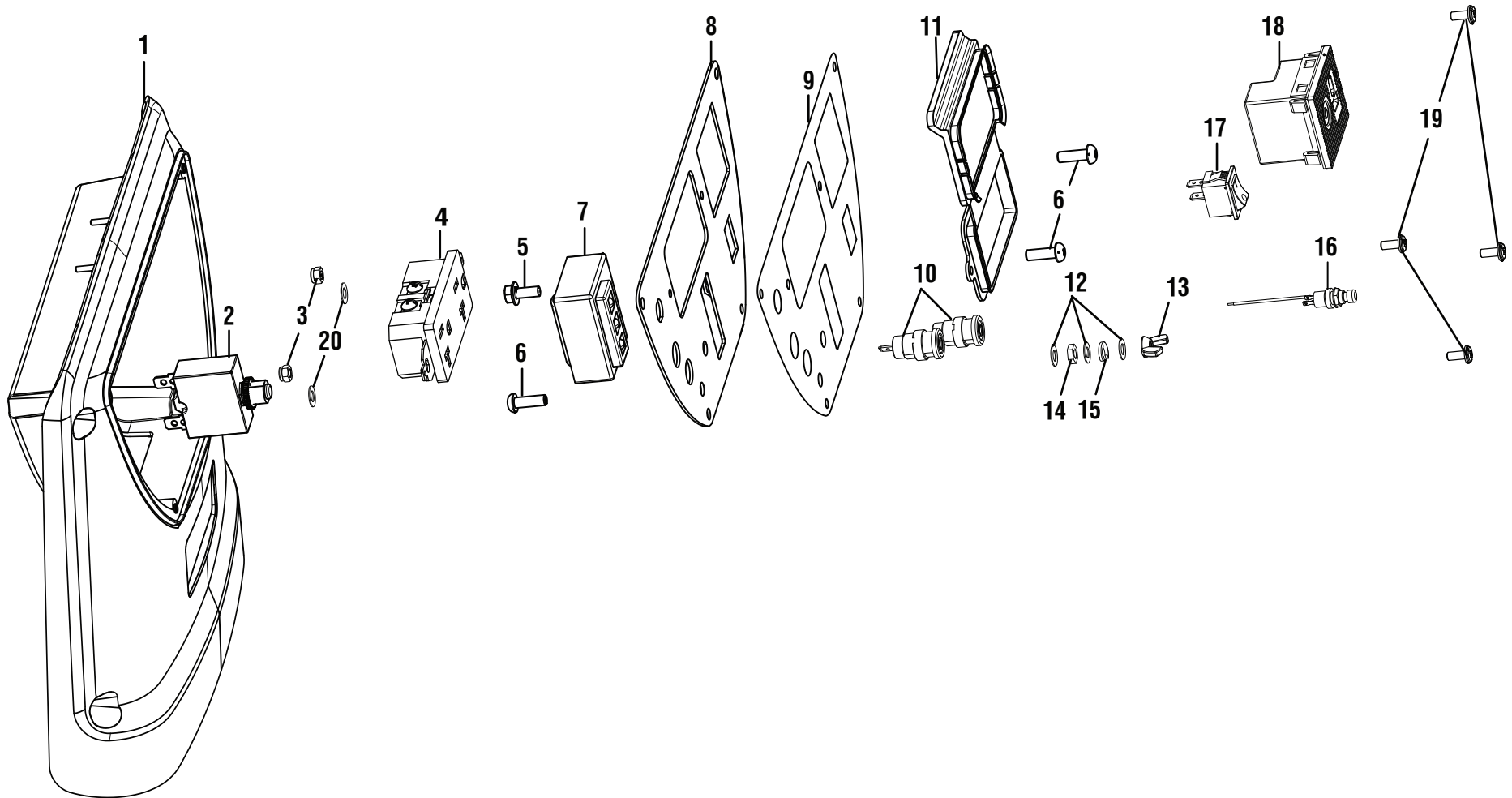
DIGITAL INVERTER GENERATOR – MODEL NUMBER RYi2200A

The model number will be found on a label attached to the motor housing. Always mention the model number in all correspondence regarding your **DIGITAL INVERTER GENERATOR** or when ordering parts.

CARBURETOR PARTS LIST

KEY NO.	PART NUMBER	DESCRIPTION	QTY
1	679449001	Governor Damping Spring.....	1
2	524022001	Governor Joint.....	1
3	524021002	Governor Motor Bottom Housing.....	1
4	661864009	Washer (M4).....	1
5	660465003	Screw (M4 x 14 mm, Phillips Pan Hd.)	2
6	230404001	Governor.....	1
7	660914005	Screw (M3 x 5 mm, Phillips Pan Hd.)	2
8	690969001	Washer (OD10 x ID4.2 x 1t)	2
9	660465002	Screw (M4 x 10 mm, Phillips Pan Hd.)	2
10	525361002	Control Lever	1
11	661864006	Screw (ST4.2 x 12 mm, Phillips Pan Hd.).....	1
12	590458012	Choke Lever Upper	1
13	638421006	Spring	1
14	661864005	Screw (ST4.2 x 16 mm, Phillips Pan Hd.).....	2
15	678670005	Fuel Valve	1
16	660342008	Screw (M3 x 0.8 mm, Phillips Pan Hd.)	1
17	525503001	Support Bracket	1
18	291443001	Engine Shut-Off Switch	1
19	660345009	Clamp (D9 x 1.2 mm).....	2
20	570358085	Fuel Hose (Fuel Valve To Carb).....	1
21	308054078	Carburetor	1

Figure C



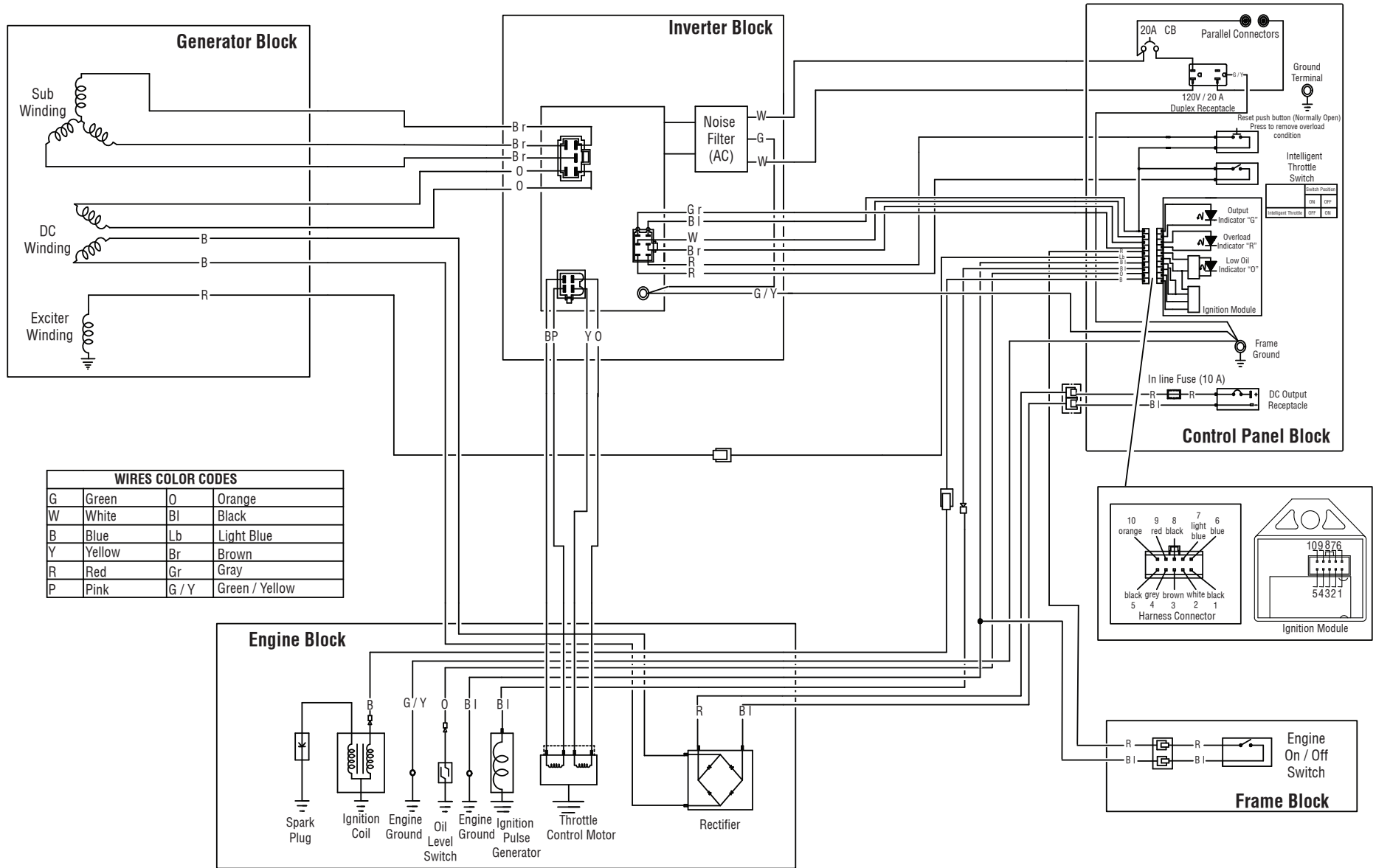
DIGITAL INVERTER GENERATOR – MODEL NUMBER RYi2200A

The model number will be found on a label attached to the motor housing. Always mention the model number in all correspondence regarding your **DIGITAL INVERTER GENERATOR** or when ordering parts.

PARTS LIST – FIGURE C

KEY NO.	PART NUMBER	DESCRIPTION	QTY
1	518728002	Front Cover	1
2	780350001	Circuit Breaker (20 Amp)	1
3	661514002	Flange Nut (M4)	2
4	290400017	120 Volt Duplex Receptacle	1
5	661345009	Bolt (#10 x 12 mm, Flanged Hd.)	1
6	660976002	Screw (M5 x 16 mm, Phillips Pan Hd.)	1
7	850201002	Ignition Module.....	1
8	638700022	Control Panel.....	1
9	940040035	Front Panel Label	1
10	870932002	Connector.....	2
11	570412003	120 Volt Outlet Cover	1
12	638623005	Washer (M5 x 10 mm x 0.5t)	3
13	678016009	Wing Nut (M5).....	1
14	678016008	Hex Nut (M5)	1
15	678343001	Lock Washer (OD9 x ID5 x 1.3t)	1
16	760945001	Reset Button	1
17	760504009	Intelligent Switch	1
18	290400019	Receptacle DC	1
19	660345009	Screw w/Washer (M4 x 10 mm, T20 Torx Button Hd.)	4
20	638623006	Washer (OD8 x ID4.3 x 0.5t).....	2
21	660465002	Screw (M4 x 10 mm, Phillips Pan Hd.).....	2

DIGITAL INVERTER GENERATOR – MODEL NUMBER RYi2200A



Wiring Diagram